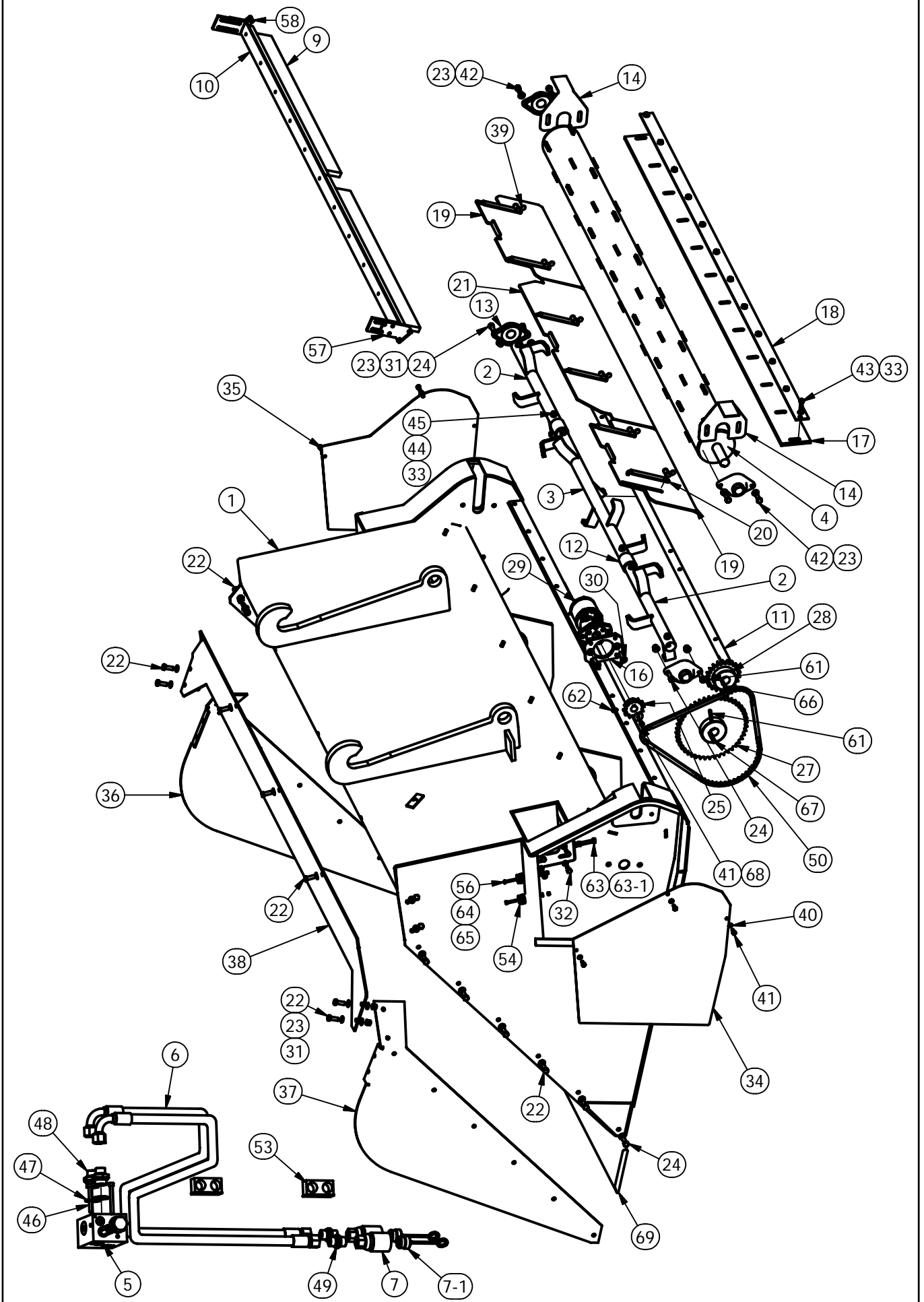




AB Mähler&Söner
Rossön
tel:0624-203 50
fax:0624-200 50
mahlers@mahlers.se

Sandskopa SPH

| | | | |
|----------------|------------|--------|-------|
| Konstr. | Datum | | |
| | 2005-10-12 | | |
| Ritningsnummer | 12-6000 | Utgåva | Blad |
| | | | 1 / 1 |



Reservdels lista

12-6000

SANDSPRIDARSKOPA SPH 20-30

| Pos | Best.nr | Detaljnamn | Ant/fäste | Intern nr. |
|-----|---------------|----------------------------------|-----------|-----------------|
| 1 | 126-01001 | Stomme SPH | 1 | 126-01001 |
| 2 | 126-02001 | Omrörare 575 | 2 | 126-02001 |
| 3 | 126-03001 | Omrörare 910 | 1 | 126-03001 |
| 4 | 126-04001 | Sandspridarvals | 1 | 126-04001 |
| 5 | 12-6055 | Flödesregulator | 1 | PV-100-400-EPRM |
| 6 | 94-MÅH-124 | Hydraulslang | 2 | 3/4"-3500 |
| 7 | 97-TEMA-7511 | Temakoppling | 2 | Tema 7511 |
| 7-1 | 97-TEMA-7516 | Dammskydd | 2 | Tema 7516 |
| 8 | 12-6036 | Skydd Skruvbart Extra utrustning | | 126-05001 |
| 9 | 12-1030-3 | Borste Extra utrustning | 2 | 12-1030-3 |
| 10 | 12-1029 | Borsthållare Extra utrustning | 1 | A3-4045 |
| 11 | 126-07002 | Axel Omrörare | 1 | 126-07002 |
| 12 | 126-15002 | Oilonbusning | 2 | 126-15002 |
| 13 | 12-1059-1 | Lager | 4 | FYTB 35 |
| 14 | 126-13000 | Täckplåt | 2 | 126-13000 |
| | | | | |
| 16 | 12-2025 | Motorplatta | 1 | A-480-2 |
| 17 | 12-1024-10 | Gummi t=10 | 1 | 126-08002 |
| 18 | 126-09000 | Klämlist | 1 | 126-09000 |
| 19 | 126-10000 | Begränsarlucka | 2 | 126-10000 |
| | | | | |
| 20 | 126-16000 | Låsbleck | 6 | 126-16000 |
| 21 | 126-11000 | Begränsarlucka mittre | 1 | 126-11000 |
| 22 | 1007-12-35 | Skruv | 21 | 1007-12 -35 |
| 23 | 1617-130-240 | Planbricka | 54 | 1617-13 |
| 24 | 1007-12-40 | Skruv | 6 | 1007-12-40 |
| 25 | 12-6017 | Kedjehjul Ø25 12B z=12 | 1 | 12-6017 |
| 26 | | 12B-Z12-35 | | 12B-Z12-Ø35 |
| 27 | 12-6018 | Kedjehjul ø35 12B z=46 | 1 | 12B-46 |
| 28 | 12-6019 | Kedjehjul Ø35 12B z=21 | 1 | 12-6019 |
| 29 | 12-6054 | Hydraulmotor | 1 | EPRM400CDP |
| 30 | 1104-12-50 | Skruv försänkt | 2 | 1104-12-50 |
| 31 | 1545-M12 | Lockingmutter | 29 | M12-locking |
| 32 | 1007-10-25 | Skruv | 4 | 1007-10-25 |
| 33 | 1617-105-220 | Bricka | 22 | 1617-10.5 |
| 34 | 126-06000 | Lucka v-sida | 1 | 12-06000 |
| 35 | 126-17000 | Lucka h-sida | 1 | 126-17000 |
| 36 | 126-18000-h | Förhöjningsplåt 12-6000-1 | 1 | 126-18000-h |
| 37 | 126-18000-v | Förhöjningsplåt 12-6000-1 | 1 | 126-18000-v |
| 38 | 126-19000 | Förhöjningsplåt 12-6000-1 | 1 | 126-19000 |
| 39 | 1567-M10 | Vingmutter | 6 | 1567-M10 |
| 40 | 1617-84-160 | Bricka | 6 | 8,4x16 |
| 41 | 1007-8-20 | Skruv | 7 | 1007-8-20 |
| 42 | 1007-12-30 | Skruv | 4 | 1007-12-30 |
| 43 | 1007-10-40 | Skruv | 12 | 1007-10-40 |
| 44 | 1005-10-60 | Skruv | 6 | 1005-10-60 |
| 45 | 1545-M10 | Lockingmutter | 6 | 1575- M10 |
| 46 | 1102-8-80 | Insexskruv | 2 | 1102-8-80 |
| 47 | 91-216-16 | Gummistålbricka | 2 | 216-16 |
| 48 | 91-202-12-16 | Adapter | 2 | 202-12-16 |
| 49 | 91-201-12 | Adapter | 2 | 201-12 |
| 50 | 105-KEDJA-3/4 | Kedja | 1 | 3/4" 76 rullar |
| 51 | | | | |
| 52 | | | | |

SANDSPRIDARSKOPA SPH 20-30

| Pos | Best.nr | Detaljnamn | Ant/fäste | Intern nr. |
|------|---------------|---|-----------|---------------------|
| 53 | 971-HK-1831 | Stauffklammer 3/4 | 2 | 971-HK-1831 |
| 54 | 97-JEA-3/4 | Parkeringsnippel | 2 | 97-JEA 3/4 |
| 55 | | | | |
| 56 | 1005-6-40 | Skruv | 2 | 1005-6-40 |
| 57 | 12-6057 | Fäste för borsthållare vänster Extra utrustn. | 1 | 126-20000-v |
| 58 | 12-6058 | Fäste för borsthållare höger Extra utrustn. | 1 | 126-20000-h |
| 59 | 1014-8-30 | Fransk träskruv Extra utrustn. | 11 | 8*30 |
| 60 | | | | |
| 61 | 1107-10-30 | Stoppskruv | 2 | M10x30 |
| 62 | 1107-10-16 | Stoppskruv | 1 | M10x16 |
| 63 | 1007-10-60 | Skruv | 1 | ISO 4017 - M10 x 60 |
| 63-1 | 1536-M10 | Mutter | 1 | ISO 4032 - M10 |
| 64 | 1617-64-120 | Bricka | 2 | DIN 125 - A 6.4 |
| 65 | 1545-M6 | Lockingmutter | 2 | DIN 6924 - M6 |
| 66 | 1050-RK-10836 | Plattkil | 1 | 10 x 8 x 36 |
| 67 | 1050-RK-10850 | Plattkil | 1 | 10 x 8 x 63 |
| 68 | 1608-90-350 | Karosseribricka | 1 | SRKB 9x35x3 |
| 69 | 171-990773 | Skärstål | 1 | 200-20-2600 |